

SUBSM1

SUBWOOFER STUDIO MONITOR SYSTEM



- Two 320 mm LF in vented enclosure
- Powering Mode: Passive with external Digital Processor
- For Permanent Installation

Product Information

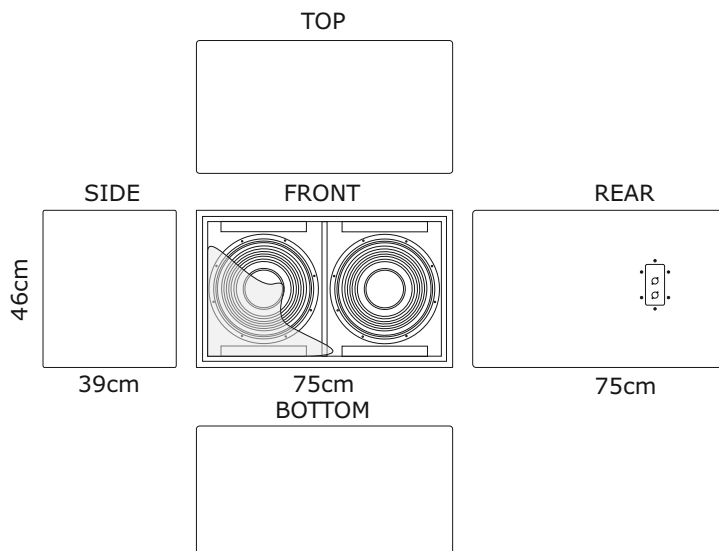
LSS SUBSM1 is a subwoofer that provides flat response in the 35-150 Hz range. The SUBSM1 performs well with SM1 studio monitors loudspeakers to form full-range reproduction systems, and is also compatible with other LSS mid-high loudspeakers. SUBSM1 cabinet houses two 320mm (12") 100 mm (4 in) copper voice coil FEA optimized Neodymium magnet assembly Double silicone spider with optimized compliance Ventilated voice coil gap for reduced power compression. The SUBSM1 was designed to support bass reinforcement of studio monitor applications, surround sound and cinema post production. SUBSM1 powering mode is only passive amplified operation with external Digital Processor.

Data Sheet

Frequency Response	±5 dB 35 Hz ~ 150 Hz -10 dB 28 Hz
Sensitivity (1 Watt @ 1 m) Max SPL Calculated	96 dB 129 dB
Nominal Input Impedance (Ω)	8+8 Ω
Power Handling (Watts Cont. AES) Peak Power	2000 W 8000 W
Nominal Dispersion (@ -6 dB)	360°
Dimensions mm (±1 mm) (H x W x D)	460 x 750 x 390
Weight	35 Kg

Enclosure Material

- Enclosure Material: Birch Plywood of 18 mm
- Finish: Texture Polyurethane Black Paint
- Connectors: 2 Neutrik NL4 Speakon



INSTALL | STUDIO | MONITOR