

# WM4

## LOW PROFILE STAGE MONITOR SYSTEM



- Dual 12" LF Neodymium in Vented Enclosure
- High-frequency section of 3" driver coupled to asymmetrical wave guide
- Stage Monitor for mid-high applications (main vocal, drum or Keyboard)
- Powering Mode: Full Range or Bi-Amp  
(with Internal Passive Crossover)
- For Portable Use or Permanent Installation

### Product Information

WM4 is a low profile monitor of high performance before feedback. WM4 uses dual 320 mm (12") low frequency cone with 75 mm (3") interveleated voice coil with double silicon demodulation rigs and Neodymium magnet. The high frequency of 75 mm (3") Titanium voice coil and Neodymium magnet on asymmetrical wave guide provides higher output and lower distortion plus enhanced power handling capabilities for better performance in both touring and permanently installed applications. LSS's advanced crossover includes professional protection of HF. The WM4 offers switchable powering mode: full range or Bi-Amp passive operation using the internal crossover filter network. It is ideal for stage monitoring applications, high output vocal presence and neutral balanced sound.

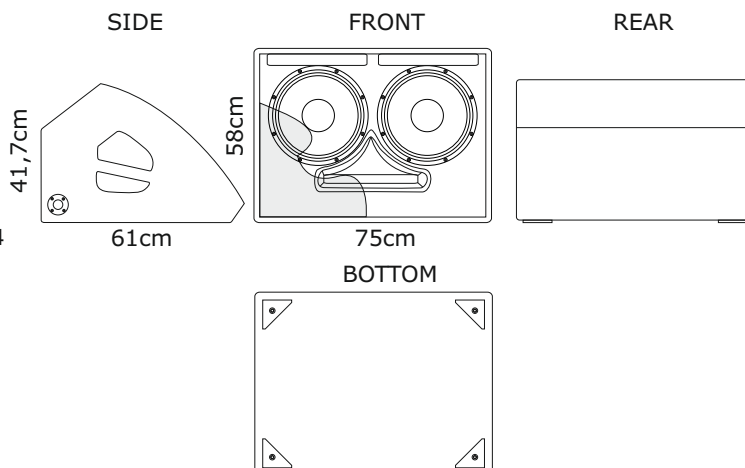
### Enclosure Material

- Enclosure Material: Birch Plywood of 18 mm
- Finish: Texture Polyurethane Black Paint
- Grille: Powder Coated Perforated Steel with anti-dust foam
- Connectors: 2 Neutrik NL4 Speakon
- Optional Accessories: Flight Case for 2 WM4

### Data Sheet

Frequency Response	±5 dB 60 Hz ~ 18 kHz -10 dB 50 Hz
Sensitivity (1 Watt @ 1 m) Max SPL Calculated	98 dB 129 dB
Nominal Input Impedance (Ω)	4 Ω
Power Handling (Watts Cont. AES) Peak Power	1200 W 4800 W
Nominal Dispersion (@ -6 dB)	30°(H) x 60°(V) Asymmetrical
Dimensions mm (±1 mm) (H x W x D)	417 x 750 x 610
Weight	33,8 Kg

STAGE MONITORS



INSTALL | EVENTS | PORTABLE | TOURING