

SP425A

COMPACT 2-WAY SELF POWERED LOUDSPEAKER SYSTEM



- 10" LF in Vented Enclosure
- 1.75" Compression Driver with Rotable Horn
- Fly Mounting Points and Pole mount Cup Included
- Powering Mode: Bi-Amp Active with Digital Amplifier
- For Portable or Permanent Installation

Product Information

2-WAY loudspeaker system provides high output, low distortion sound reinforcement for the entire range of pro audio application. The 250 mm (10") low frequency cone and 44 mm (1.75") voice coil high frequency compression driver provides higher output and lower distortion plus enhanced power handling capabilities for better performance in both touring and permanently installed applications. The digital amplifier with DSP controller allows the pilotage in Bi-Amp mode.

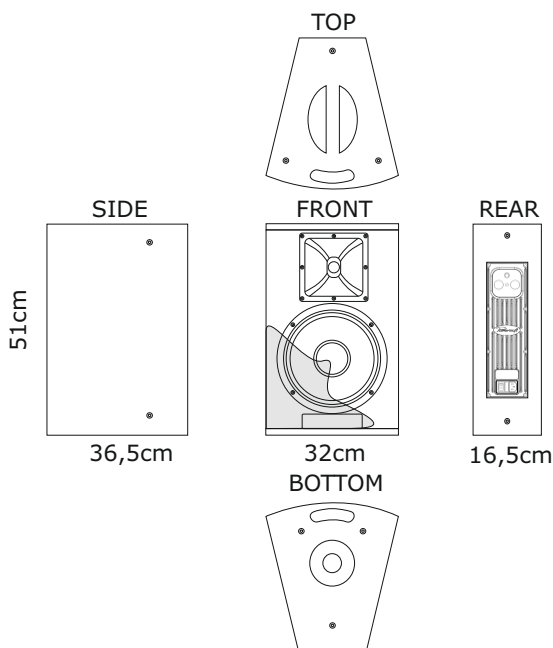
Data Sheet

Frequency Response	±5 dB 65 Hz ~ 18 KHz -10 dB 45 Hz
Sensitivity (1 Watt @ 1 m) Max SPL Calculated	96 dB 122 dB
Nominal Input Impedance (Ω)	4 Ω
Power Handling (Watts EIAJ)	450 W
Nominal Dispersion (@ -6 dB)	90° (H) x 40° (V)
Dimensions mm (±1 mm) (H x W x D)	510 x 320 x 365
Weight	21 Kg

Enclosure Material

- Enclosure Material: Birch Plywood of 15 mm
- Finish: Texture Polyurethane Black Paint
- Suspension: 12 Point Mounting Suspension M10
- Grille: Powder Coated Perforated Steel with anti-dust foam
- Connectors: XLR IN & OUT, AC Power: 240V, VDE Connetor
- Optional Accessories: Fly Clip with Ring, Speaker Soft Bag

INSTALL | EVENTS | PORTABLE



SELF POWERED

