

# PSUB1

## COMPACT REFLEX SUBWOOFER SYSTEM



- 15" Neodymium LF Subwoofer
- Pole Mount Cup Included
- Powering Mode: Passive with external Digital Processor
- For Portable Use or Permanent Installation

### Product Information

PSUB1 is a reflex subwoofer with high performance, high power handling, low distortion for professional sound reinforcement. The cabinet is constructed of birch plywood of 18 mm reinforced with optimized reflex for low distortion. The woofer used is 380 mm (15") diameter with 100 mm (4") winding copper voice coil, double silicone spider with optimized compliance, ventilated voice coil gap for reduced power compression. Aluminium demodulate ring for very low distortion. The powering mode is passive with external Digital Processor.

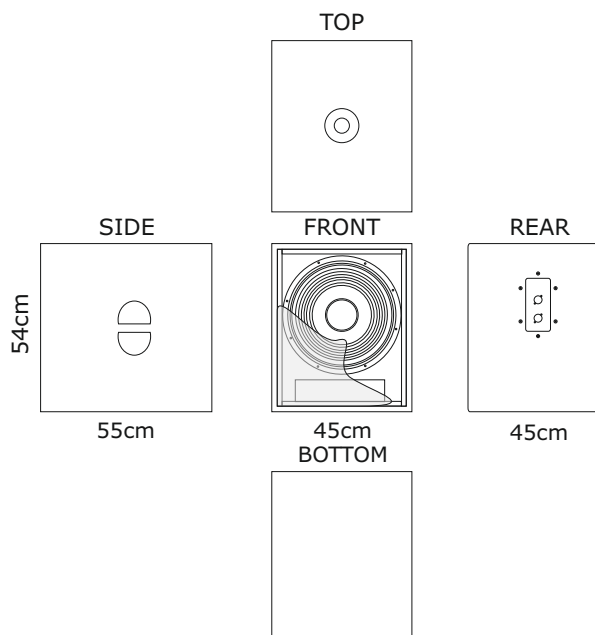
### Data Sheet

Frequency Response	±5 dB 40 Hz ~ 150 Hz -10 dB 35 Hz
Sensitivity (1 Watt @ 1 m) Max SPL Calculated	97 dB 128 dB
Nominal Input Impedance (Ω)	8 Ω
Power Handling (Watts Cont. AES) Peak Power	1200 W 4800 W
Nominal Dispersion (@ -6 dB)	360°
Dimensions mm (±1 mm) (H x W x D)	540 x 450 x 550
Weight	35 Kg

SUBWOOFER

### Enclosure Material

- Enclosure Material: Birch Plywood of 18 mm
- Finish: Texture Polyurethane Black Paint
- Suspension: Pole Mount Cup
- Grille: Powder Coated Perforated Steel with anti-dust foam
- Connectors: 2 Neutrik NL4 Speakon



INSTALL | EVENTS | PORTABLE | TOURING