

MM1

ULTRA LOW PROFILE STAGE MONITOR SYSTEM



- 6.5" Coax Neodymium Transducer in Vented Enclosure
- Driver of Polyester Diaphragm Exponential horn
- Powering Mode: Full-Range Passive
- For Portable Use or Permanent Installation

Product Information

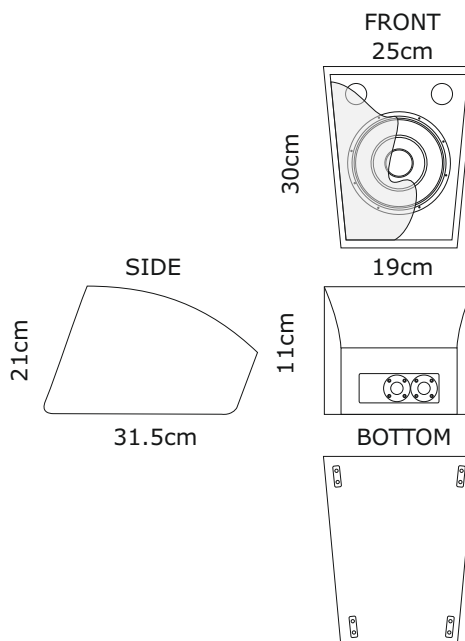
MM1 is the smallest of monitor in LSS. Small sides makes it ideal as a personal monitor in the most different applications. MM1 surprises due to the pressure and the natural timbre it can reproduce. MM1 is easily transportable and extremely lightweight. Due to its extremely low profile and small size, fits easily next to any console. Every DJ, sound engineer, performer or keyboard-player will have a faithful companion to share their best performance

Data Sheet

Frequency Response	±5 dB 80 Hz ~ 18 kHz -10 dB 60 Hz
Sensitivity (1 Watt @ 1 m) Max SPL Calculated	92 dB 114 dB
Nominal Input Impedance (Ω)	8 Ω
Power Handling (Watts Cont. AES) Peak Power	150 W 600 W
Nominal Dispersion (@ -6 dB)	70°(H) x 70°(V)
Dimensions mm (±1 mm) (H x W x D)	210 x 250 x 315
Weight	4 Kg

Enclosure Material

- Enclosure Material: Birch Plywood of 12 mm
- Finish: Texture Polyurethane Black Paint
- Grille: Powder Coated Perforated Steel with anti-dust foam
- Connectors: 2 Neutrik NL4 Speakon,
- Optional Accessories: Speaker Soft Bag



INSTALL | EVENTS | PORTABLE | TOURING

