

# M30.3

## ULTRA COMPACT MULTIFUNCTION SYSTEM



- 6" LF Neodymium Driver with 1.75" Voice Coil in Vented Enclosure
- 1.4" Compression driver with Rotable 1" Horn
- Fly Mounting Points and Brackets Included
- Powering Mode: Full-Range Passive
- For Touring or Permanent Installation

### Product Information

2-WAY loudspeaker system uses one 160 mm (6") long excursion woofer with Neodymium magnet and voice coil of 44 mm (1.75"), Polyester 34.4 mm (1.4") Ferrite driver coupled to a rotatable ABS 1" horn. The mounting points included in the cabinet offer the possibility of suspension in any directions. The cabinet beveled on the sides makes it practical for uses as a small monitor or clusters creations. M30.3 can be used in full range mode or with a subwoofer (ex. SUBDRIVE12 that allows pilotage with dedicated setup), other models as PSUB1 are ideal compromise. The passive crossover of low tolerance with slope 12dB / 18dB and the Poliswitch protection circuit ensure high pressures and maximum reliability.

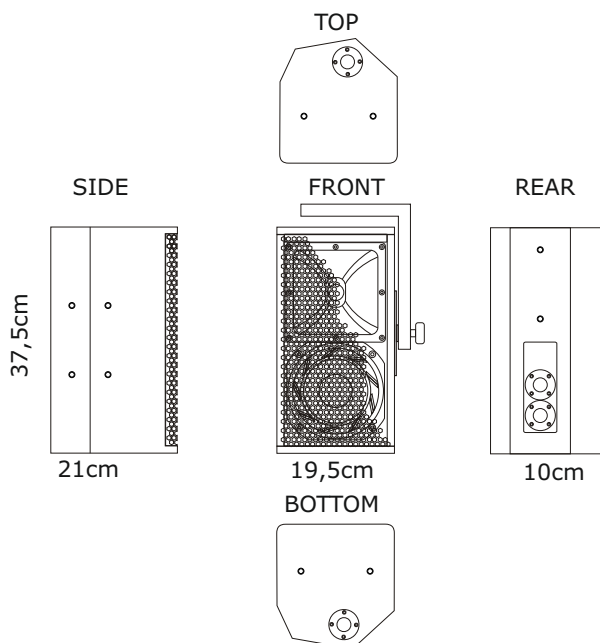
### Enclosure Material

- Enclosure Material: Birch Plywood of 12 mm
- Finish: Texture Polyurethane Black Paint
- Suspension: 6 Point Mounting Suspension
- Grille: Powder Coated Perforated Steel with anti-dust foam
- Connectors: 4 Neutrik NL4 Speakon
- Optional Accessories: Adjustable Speaker Mount Included, Speaker Soft Bag

INSTALL | EVENTS | PORTABLE | MONITOR

### Data Sheet

Frequency Response	±5 dB 80 Hz ~ 20 KHz -10 dB 65 Hz
Sensitivity (1 Watt @ 1 m) Max SPL Calculated	93 dB 117 dB
Nominal Input Impedance (Ω)	16 Ω (on request 8 Ω)
Power Handling (Watts Cont. AES) Peak Power	250 W 1000 W
Nominal Dispersion (@ -6 dB)	90° (H) x 40° (V)
Dimensions mm (±1 mm) (H x W x D)	375 x 195 x 210
Weight	8,5 Kg



MULTIFUNCTION